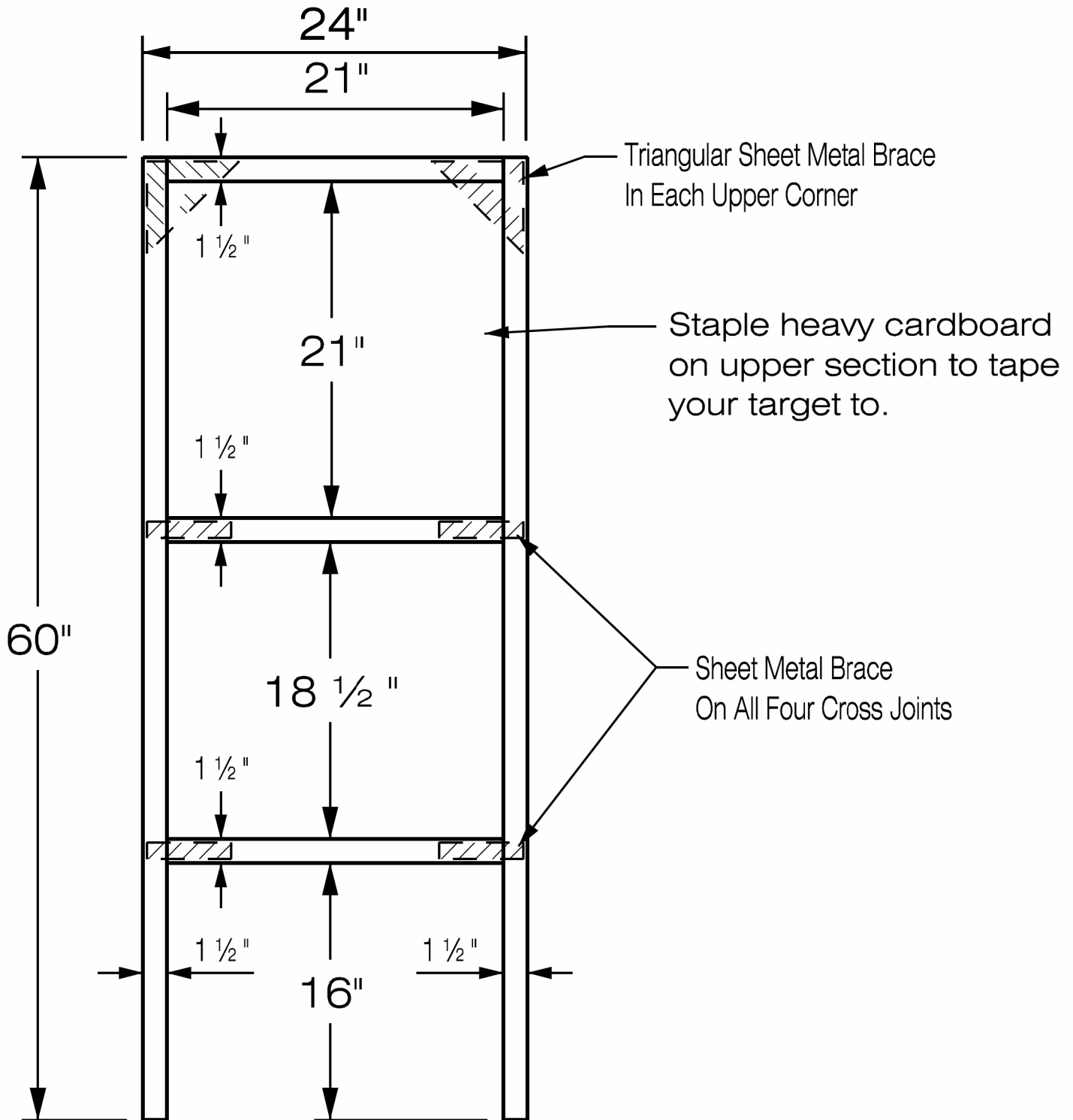


TARGET FRAME



Materials:

2" x 2" Lumber (1 1/2" x 1 1/2" Std. Measurement)

Screws

Sheet Metal for Braces